

# KULKARNI TRANSPower PVT. LTD.



PUFLEX DC COUPLINGS

Great People

Great Company

Great Brand

Great Future



[www.ktppl.com](http://www.ktppl.com)

# KULKARNI TRANSPOWER PVT. LTD.

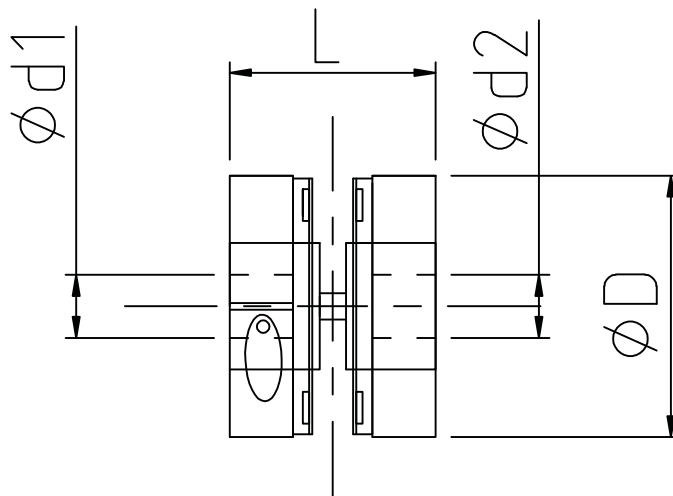
## PUFLEX DC COUPLINGS

**PUFLEX DC couplings** are the three piece assembly of 2 no. Aluminium Alloy hubs and one Special Grade Plastic Disc. These three pieces are co-axially assembled to complete the PUFLEX DC coupling. After assembly these couplings becomes sufficient flexible, backlash-free, positive motion transmitting fail safe coupling elements. Due to Plastic Disc, both the metallic hubs are separated from each other to avoid there physical contact. This helps to avoid the electrical and frequency isolation of both the connected driver and driven elements.

**Applications :** Shaft Encoders

### Benefits:

Flexible, Backlash-free, No maintenance, No Lubrication, Failsafe, Uniform & Positive motion and power transmission, Electrical and frequency isolation, Available in Unbored, pilot bore and finish bores and key-ways.



Size	Outer Dia.	Length	Bore Size mm		Max. Misalignment			Max. Torque Nm	Max. RPM	Torsional Stiffness Nm/rad
			Min. d1	Max. d2	Radial mm	Angular	Axial mm			
25	25.00	20.00	4.00	10.00	0.3	2.5	0.4	0.4	12000	25
30	30.00	22.00	6.00	14.00	0.3	2.5	0.4	0.6	12000	50

Ordering Code:

PUFlex DC XX-YY-ZZ

XX: Outer Diameter of Coupling

YY: Inner Diameter of first side

ZZ: Inner Diameter of second side.

Office : R-Cube, Rahul Park, NH-4, Warje, Pune - 411 058. Maharashtra India

Mob.: 91 0 - 9764444391 / 9422007155

Website : [www.ktppl.com](http://www.ktppl.com) E-mail : [sales@ktppl.com](mailto:sales@ktppl.com)